



FAST IDENTITY ONLINE [FIDO®]

PocketKey+

SECURE & CONVENIENT

ACS's **PocketKey+** provides users the experience of secure and swift **passwordless online login**. It allows individuals, enterprises and government-scaled agencies to substitute passwords with **multi-factor authentication or two-factor authentication**, reducing reliance on static passwords.

The device is **certified by the FIDO Alliance [FIDO®]** and is compliant with **FIDO U2F and FIDO2** protocols. The device's cryptographic security model terminates any likelihood of phishing, password/identity theft and repetitive attacks. User tracking can also be prevented by storing FIDO cryptographic keys on device and creating unique keys for each website.

PocketKey+ is available as an USB Type-C Security Key with NFC function, and is designed with a mechanical switch. The switch is essential for acknowledging user presence as it ensures that the user is physically present in order to interact with the application.



KEY FEATURES

✔ Security Features

- Authenticators
 - FIDO U2F
 - FIDO2 (CTAP2.1)
- Security Module
 - Cryptographic Security Module (EAL6+)

✔ Reliable

- FIDO® Certified
- Compliant with International Regulations
- Mean Time Between Failures (MTBF) up to 600k Hours

✔ Compatible

- Supports All Major Operating Systems
 - Windows®, Linux®, macOS, Android™ and iOS
- Accommodates All Major Web Browsers
 - Chrome™, Safari®, Microsoft Edge® and Firefox®

COMMON APPLICATIONS

- Enterprises
- Financial Services & Payments
- Government
- Healthcare & Insurance

SUPPORTED PLATFORMS

- Microsoft®
- Apple ID®
- iCloud®
- Facebook
- Google®

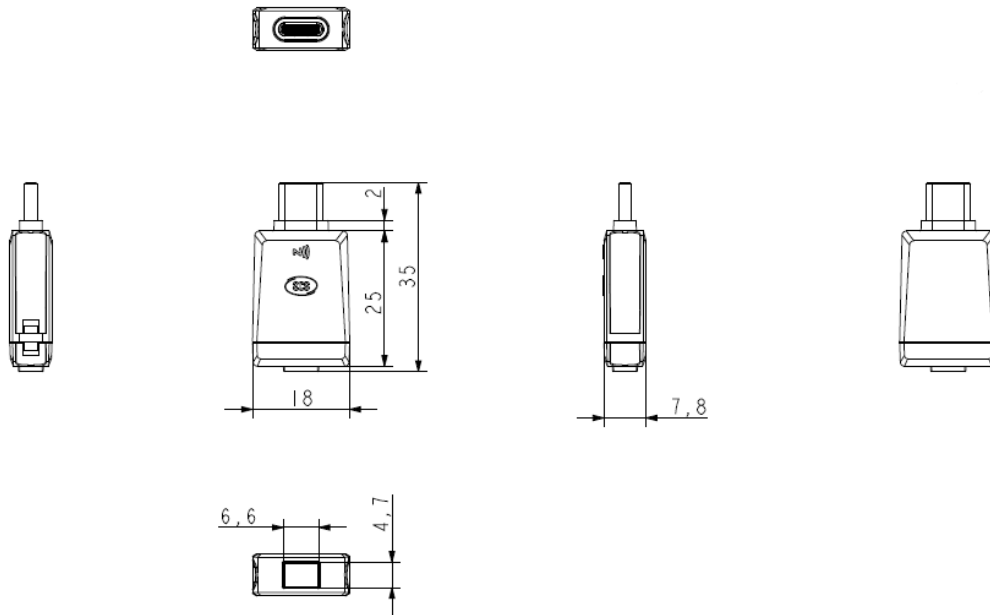


TECHNICAL SPECIFICATIONS

Host Interface	
Protocol	USB HID
Connector Type	USB Type-C
USB Interface	USB 2.0 Full Speed (12Mbps)
Power Supply	USB Port & NFC
Current Consumption	Max. 100 mA
NFC Interface	
ISO 14443 Type A	Support
Security Features	
Authenticators	FIDO U2F FIDO2 (CTAP2.1)
Resident Key Storage	200
Certifications/ Compliances	
Standards	FIDO U2F, FIDO2 L1
Regulatory/Environmental	CE, FCC, VCCI, UKCA, RoHS, REACH
Other Features	
Enterprise Attestation	Upon Request
TOTP/HOTP	Support

Physical Characteristics	
Dimensions	35mm (L) x 18mm (W) x 7.8mm (H)
Weight	4.2 g ± 1.0 g
Available Colour(s)	White
Peripherals	
LED	Blue
User Interface	Mechanical Switch for Presence Validation
Operating Conditions	
Temperature	0 - 65°C
Humidity	Max 95% (Non-Condensing)
MTBF	600,000 Hours
OS, Browser & Platform Support	
Supported OS	Windows®, Linux®, macOS, Android™ and iOS
Supported Browsers	Chrome™, Safari®, Microsoft Edge® and Firefox®
Supported Platforms	Microsoft®, Apple ID®, iCloud®, Facebook and Google®
Key Manager	Support
Model/ Part Number	
Default <i>[Type-C Protective Cap and loop string included]</i>	AFD03-A2

MECHANICAL SPECIFICATIONS



About ACS

Advanced Card Systems Ltd. (ACS), founded in 1995, is Asia Pacific's top supplier and one of the world's top 3 suppliers of PC-linked smart card readers. ACS is the winner of the Product Quality Leadership Award for Smart Card Readers from Frost & Sullivan. ACS was listed in Forbes Asia's "Best Under a Billion" list for several years, an inter-industry list comprised of 200 top-performing publicly listed companies in the Asia-Pacific, with sales between US\$5 million and US\$1 billion. ACS develops a wide range of high-quality smart card reading/writing devices, smart cards and related products and distributes them to over 100 countries worldwide.

Click [here](#) for Sales Enquiry

Tel: +852-2796-7873

Fax: +852-2796-1286

macOS and Safari® are registered trademarks of Apple Inc., registered in the U.S. and other countries.

Windows® is a trademark of Microsoft Corporation in the United States and/or other countries.

Android™ and Google Chrome™ are trademarks of Google LLC.

Linux® is the registered trademark of Linus Torvalds in the U.S. and other countries.

Firefox™ is a trademark of the Mozilla Foundation in the U.S. and other countries.

The FIDO, FIDO ALLIANCE, and FIDO CERTIFIED trademarks logos are trademarks of FIDO.



www.acs.com.hk

info@acs.com.hk