



CONTACTLESS READER MODULE

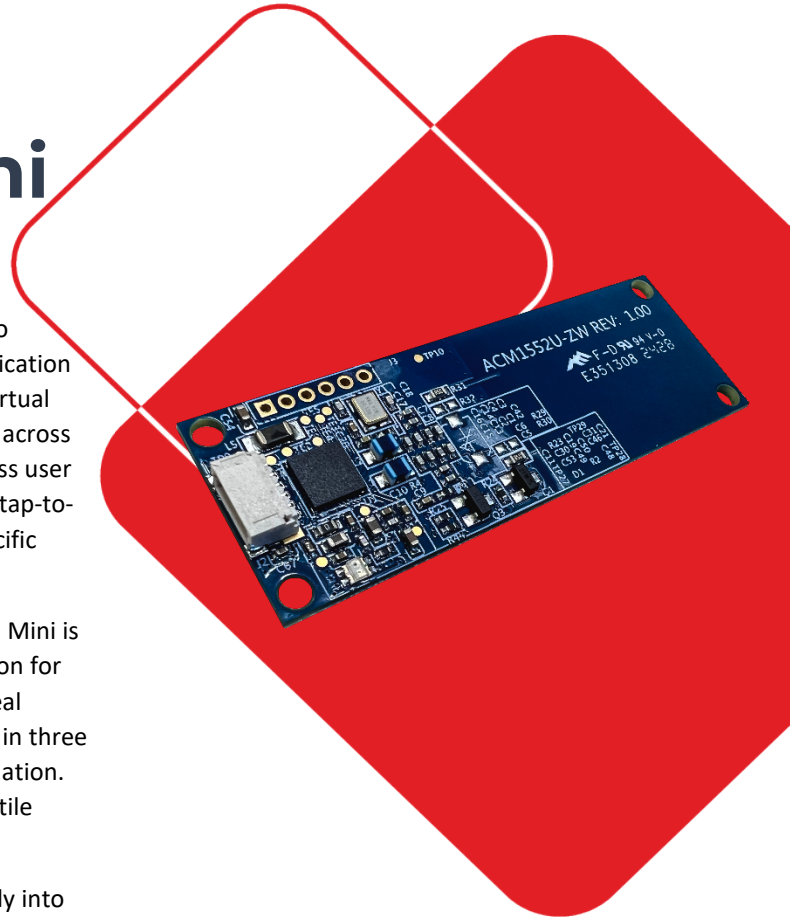
WalletMate II Mini

Mini Mobile Wallet NFC Module

The WalletMate II Mini is an NFC reader specifically designed to enhance NFC applications on smartphones. It has earned certification from Apple and Google VAS protocols, enabling it to support virtual passes such as loyalty cards, tickets, and staff/student ID cards across both iOS and Android platforms. This ensures a smooth, cardless user experience. With the application of the VAS protocol, a simple tap-to-go experience is facilitated, allowing the terminal to select specific wallet passes using a merchant-specific ID.

As a CCID & PC/SC compliant reader module, the WalletMate II Mini is a plug-and-play device that leverages high-speed communication for contactless cards, reaching up to 848 kbps. This makes it an ideal choice for high-performance applications. The device operates in three modes: NFC reader/writer, keyboard emulation, and card emulation. These features make WalletMate II Mini an effective and versatile solution for various smart card applications.

The WalletMate II Mini's compact design ensures it fits perfectly into small devices. This small-sized module is ideal for integration into a wide variety of applications, including handheld devices, kiosks, and IoT devices, without sacrificing their functionality or user experience.



KEY FEATURES

- ✓ **Support various type of contactless card type**
 - ISO 14443 Type A & B
 - ISO 15693
 - ISO 18092-compliant NFC tags
 - MIFARE Classic®, MIFARE® Mini, MIFARE Ultralight® (T=CL), FeliCa and Topaz Card
- ✓ **Apple VAS & Google Smart Tap Certified**
 - Certified by Apple and Google, work with their respective VAS (Value-added service) protocols
 - Support ECP1.0 and ECP 2.0 (Further approval for ECP2.0 may be necessary.)
- ✓ **Support various NFC modes**
 - NFC Reader/Writer, Keyboard Emulation, Card Emulation
- ✓ **Secure**
 - Long Term Private Key (LTPK) stored inside secure element for Google Smart Tap
- ✓ **Flexible**
 - Read/write speed and LED can be programmable
- ✓ **Support USB Firmware Upgrade**
- ✓ **Reliable**
 - Certified for international regulations
 - Mean time between failures (MTBF) up to 500k Hours
- ✓ **Compatibility**
 - Support for all major operating systems

Common Applications

- E-Government
- E-Banking and e-Payment
- E-Healthcare
- Transportation
- Network Security
- Access Control
- Loyalty Program
- Smart Poster/URL Marketing



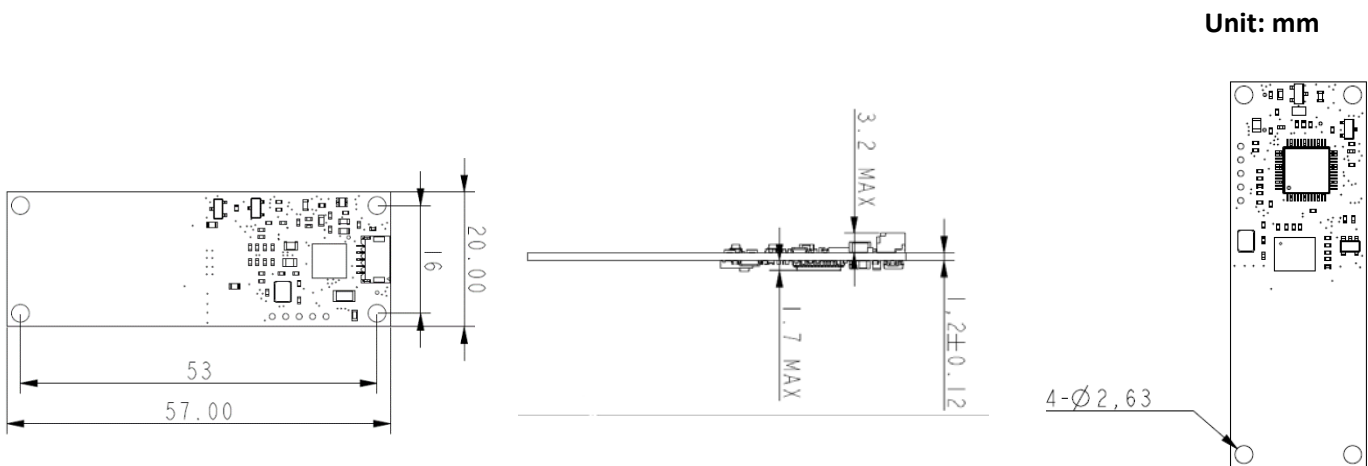


TECHNICAL SPECIFICATION

Contactless Smart Card Interface	
Supported Card Types	ISO 14443 Type A & B Parts 1-4, ISO 15693, ISO 18092 NFC, MIFARE®, FeliCa, SRI/SRIX, CTS, Innovatron, Picopass, Topaz Card
Operating Frequency	13.56 MHz
Reading Distance	Up to 50 mm (Depending on tag type)
Read/Write Speed	106/212/424/848 kbps (ISO14443) 26kbps (ISO15693)
Anti-Collision	Yes
Supported NFC Mode	NFC Reader/Writer, Keyboard Emulation, Card Emulation,
Host Interface	
Protocol	USB CCID
Connector Type	5pin, 1mm pitch, JST SH series compatible
Speed	USB 2.0 Full Speed (12 Mbps) compatible with USB3.0
Supply Voltage	5VDC
Current Consumption	Max. 200mA
USB Firmware Upgrade	Supported
Physical Characteristics	
Dimension (L x W x H)	57 x 20 x 6.3 mm
Weight (±1g)	3.9g

Peripherals	
LED	1 x Programmable LED (Blue & Green)
Operating Condition	
Temperature	0 - 60°C
Humidity	Max. 90% (Non-condensing)
MTBF	500,000 Hours
Certifications & Compliances	
Certifications	Apple VAS, Google Smart Tap, IEC/EN 62368, CE, FCC, VCCI, RoHS, REACH, WEEE, Microsoft® WHQL
Compliances	USB CCID, PC/SC
Libraries & Tools	
Libraries	Apple VAS API, Google Smart Tap API, CT-API
Tools	ACS VAS Test Tools with API Software Development Kit
Drivers & Support	
Driver Supported OS	Windows®, Linux®, macOS, Android™
Warranty	1 Year
Model/Part Number	
Default	ACM1552U-ZW

MECHANICAL SPECIFICATION



About ACS

Advanced Card Systems Ltd. (ACS), founded in 1995, is Asia Pacific's top supplier and one of the world's top 3 suppliers of PC-linked smart card readers. ACS is the winner of the Product Quality Leadership Award for Smart Card Readers from Frost & Sullivan. In 2010, 2014 and 2015, ACS was listed in Forbes Asia's "Best Under a Billion" list, an inter-industry list comprised of 200 top-performing publicly listed companies in the Asia-Pacific, with sales between US\$5 million and US\$1 billion. ACS develops a wide range of high-quality smart card reading/writing devices, smart cards and related products and distributes them to over 100 countries worldwide.

Click [here](#) for Sales Enquiry
Tel: +852-2796-7873
Fax: +852-2796-1286

macOS is registered trademarks of Apple Inc., registered in the U.S. and other countries.
Windows® is a trademark of Microsoft Corporation in the United States and/or other countries.
Android™ is trademarks of Google LLC.
Linux® is the registered trademark of Linus Torvalds in the U.S. and other countries.

