



CONTACT SMART CARD READER

ACR40T

COMPACT & MODERN

Introducing the ACR40T, ACS's latest compact high-speed USB contact SIM-sized smart card reader. It provides seamless support for **ISO 7816 Class A, B, and C smart cards, microprocessor cards using T=0 and T=1 protocols**, and a wide range of memory cards available in the market.

In addition to the standard version, ACR40T is available in **premium**, providing users with a **configurable built-in button** for user-defined secure application usage. This function is essential for acknowledging user presence as it ensures that the user is physically present in order to interact with the application.

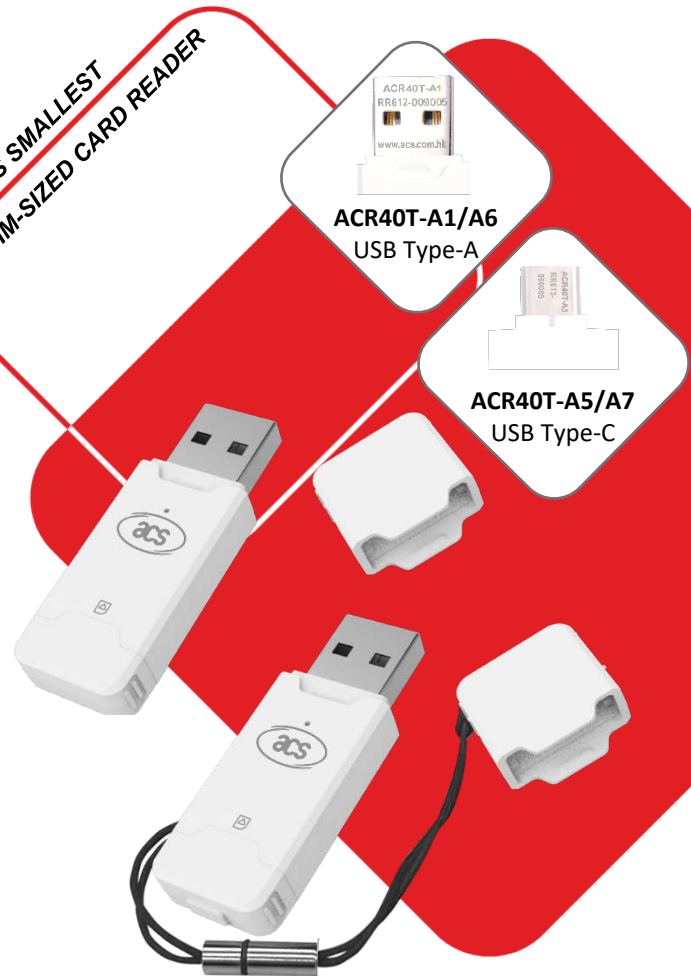
The ACR40T is compliant with CCID, PC/SC, and Microsoft® WHQL standards, ensuring seamless integration with various operating systems such as **Windows®, Linux®, macOS, iOS, iPadOS and Android™**.

Both **USB Type-A** and **USB Type-C** interfaces are available, providing flexible connectivity options.

KEY FEATURES

- ✓ **Multiple Configurations**
 - Standard: Basic card read/write support
 - Premium: Built-in button for user-defined secure application usage (i.e. multi-factor authentication)
- ✓ **Supports Various Types of Contact Cards**
 - ISO 7816 Class A, B and C (5 V, 3 V and 1.8 V)
 - Microprocessor Card (T=0, T=1)
 - Memory Card
- ✓ **Supports Firmware Upgrade**
- ✓ **Supports User Data Storage**
- ✓ **Reliable**
 - Compliant with International Regulations
- ✓ **Compatible**
 - Supports all major operating systems
 - Windows®, Linux®, macOS, iOS, iPadOS, Android™

WORLD'S SMALLEST
SIM-SIZED CARD READER



ACR40T-A1/A6
USB Type-A

ACR40T-A5/A7
USB Type-C

COMMON APPLICATIONS

e-Government
e-Banking and e-Payment
e-Healthcare
Public Key Infrastructure
Network Security

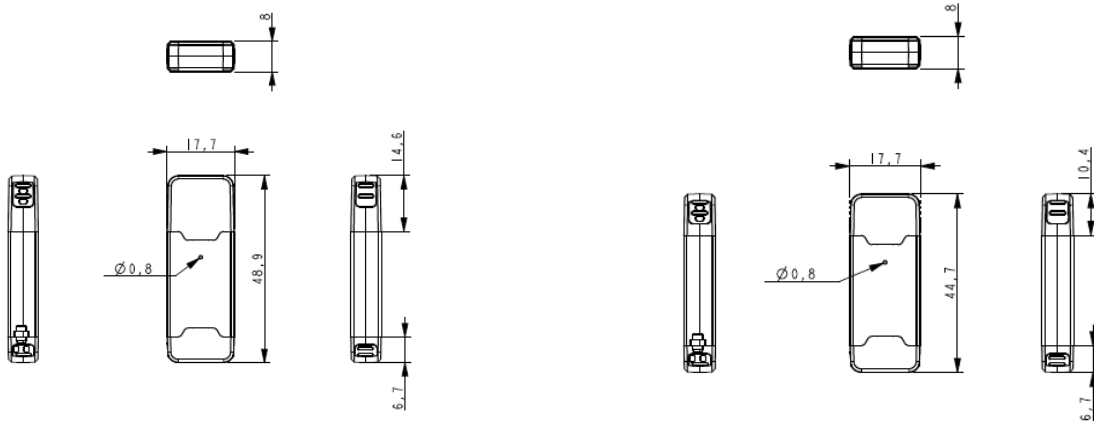


TECHNICAL SPECIFICATIONS

Contact Smart Card Interface	
Number of Slot(s)	1 SIM-Sized Card Slot (2FF)
Supported Card Types	ISO 7816 Parts 1-4, Class A, B, C (5 V, 3 V, 1.8 V), Microprocessor Card (T=0, T=1), Memory Card
Supply Current	Max. 50 mA
Read/Write Speed	9.6 – 600 Kbps
Clock Frequency	4.80 MHz; Operates Up to 16MHz
Card Connector	Contact
Card Insertion Cycles	Min. 100,000
PPS (Protocol and Parameters Selection)	Supported
Short Circuit Protection	Supported
Host Interface	
Protocol	USB CCID
Connector Type	ACR40T-A1/A6: USB Type-A ACR40T-A5/A7: USB Type-C
USB Interface	USB 2.0 Full Speed (12Mbps) Compatible with USB 3.0
Supply Voltage	5 V
Application Programming Interface	
PC-Linked Mode	PC/SC
Other Features	
Firmware Upgrade	Supported
User Data Storage	Supported
Model/Part Number	
Standard <i>[No loop string included]</i>	ACR40T-A1 (USB Type-A) ACR40T-A5 (USB Type-C)
Premium <i>[Built-in button and loop string included]</i>	ACR40T-A6 (USB Type-A) ACR40T-A7 (USB Type-C)

Physical Characteristics	
Dimensions	ACR40T-A1: 48.9mm (L) × 17.7mm (W) × 8.0mm (H)
	ACR40T-A5: 44.7mm (L) × 17.7mm (W) × 8.0mm (H)
	ACR40T-A6: 49.5mm (L) × 17.7mm (W) × 8.0mm (H)
	ACR40T-A7: 45.9mm (L) × 17.7mm (W) × 8.0mm (H)
Weight	ACR40T-A1: 6.8 g ± 1.0 g
	ACR40T-A5: 5.3 g ± 1.0 g
	ACR40T-A6: 8.1 g ± 1.0 g
	ACR40T-A7: 6.2 g ± 1.0 g
Available Colour	White
Peripherals	
LED	Green
Operating Conditions	
Temperature	0 - 65°C
Humidity	Max. 95% (Non-Condensing)
MTBF	600,000 Hours
Certifications/ Compliances	
Standards	USB CCID, PC/SC, Microsoft® WHQL, TAA
Regulatory/ Environmental	UL 62368, CE, UKCA, FCC, RoHS, REACH, VCCI, WEEE
OS Support	
Supported OS	Windows®, Linux®, macOS, iOS, iPadOS, Android™

MECHANICAL SPECIFICATIONS



Pictured Above: ACR40T-A1 [Type-A]¹

Pictured Above: ACR40T-A5 [Type-C]¹

¹ Note: Both ACR40T-A6 [Type-A] and ACR40T-A7 [Type-C] contain a built-in button on the rear end of the reader.

About ACS

Advanced Card Systems Ltd. (ACS), founded in 1995, is Asia Pacific's top supplier and one of the world's top 3 suppliers of PC-linked smart card readers. ACS is the winner of the Product Quality Leadership Award for Smart Card Readers from Frost & Sullivan. ACS was listed in Forbes Asia's "Best Under a Billion" list for several years, an inter-industry list comprised of 200 top-performing publicly listed companies in the Asia-Pacific, with sales between US\$5 million and US\$1 billion. ACS develops a wide range of high-quality smart card reading/writing devices, smart cards and related products and distributes them to over 100 countries worldwide.

Click [here](#) for Sales Enquiry

Tel: +852-2796-7873

Fax: +852-2796-1286

Android is a trademark of Google LLC.

Linux® is the registered trademark of Linus Torvalds in the U.S. and other countries.

macOS is a trademark of Apple Inc., registered in the U.S. and other countries.

Microsoft® and Windows® are either registered trademarks or trademarks of the Microsoft Corporation in the United States and/or other countries.



www.acs.com.hk

info@acs.com.hk